

Mounting Systems

NICERACK

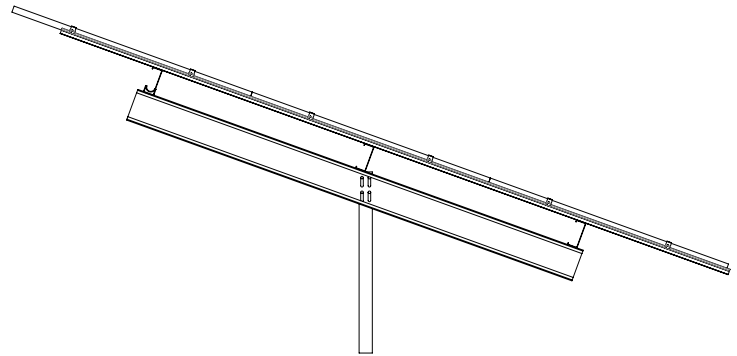
Ground Mount

The NiceRack™ GMT is designed to install more quickly and require less hardware than current mounting solutions; along with being the first PV mounting solution to offer fully integrated balance of systems. These key features of the ShoalsRack™ allow for an unprecedented reduction of installation cost and time. For a typical ground mount installation, a three-man crew can easily assemble the complete solution at an average rate of 6.75kW per man-hour. Additionally, the galvanized steel construction allows for wind and snow load capabilities ideal for any environmental conditions.



Features

- Compatible with all major brands of PV modules
- Designed to accommodate any wind and snow load and soil type
- Compatible with several different foundation types
- Integrated cable management
- Installation is quick and easy with a 3-5 man crew
- Self squaring rails for rapid installation
- Load analysis, layout drawings, and engineering support included
- 10 year limited warranty



Technical Information

	GMT Standard	GMT Snow	GMT Coastal	
Load Rating	90 mph wind / 0 psf snow	90 mph wind / 40 psf snow	150 mph wind 0 psf snow	120 mph wind 30 psf snow
Materials	50ksi CRS			
Corrosion Resistance	G90 pre-galv	G140 pre-galv	G140 pre-galv	
Fixed Tilt Angle(s)	0° - 30°			
Warranty	10-Year Limited Warranty			
Lead Time	4 Weeks for 10MW to Port / 10MW per week thereafter			
Typical Install Rate	6.75kW per Labor Hour			

* Product design and specification subject to change or modification without notice.



Options

- Driven pile, helical pile, ballast base & concrete pedestal base adaptable for ground mounts
- Pre-installed sub-harness
- Ballasted & structural roof mount systems available
- Bi-Directional module installation (Portrait or Landscape)
- East-West rail splice plates
- Theft-deterrent fastening hardware

